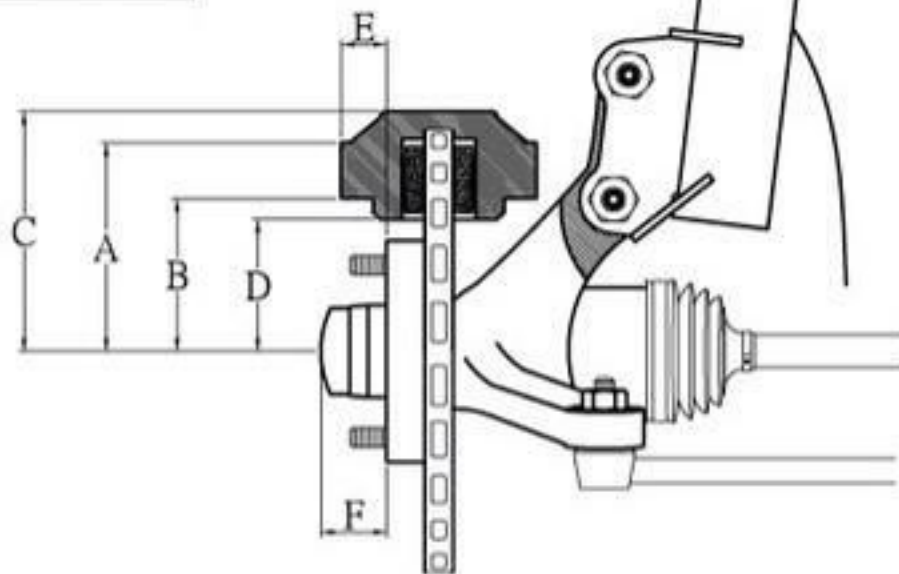


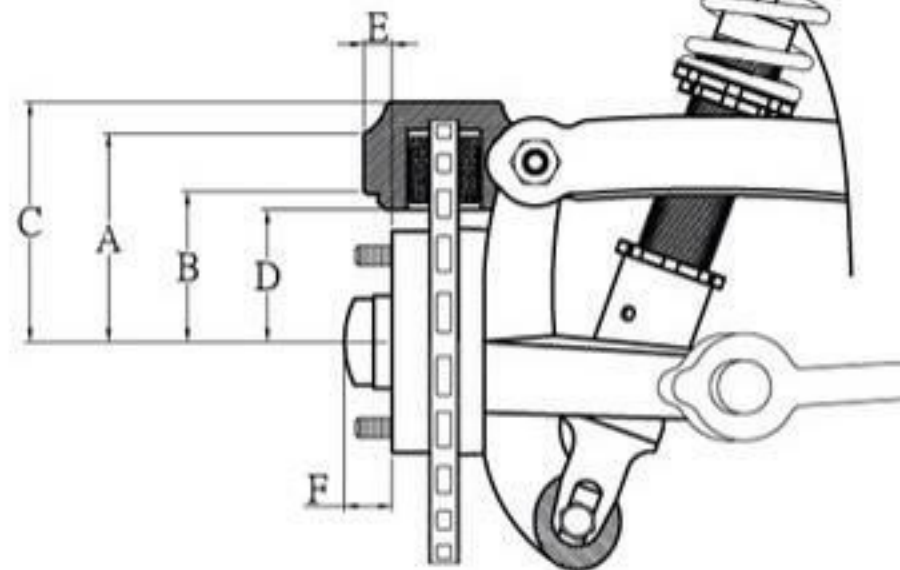


FRONT



- A. Distance between Hub center point to far end edge of outward face of caliper. _____ mm
- B. Distance between Hub center point to near edge of outward face of caliper. _____ mm
- C. Distance between Hub center point to the top edge of caliper. _____ mm
- D. Distance between Hub center point to bottom edge of caliper _____ mm
- E. The distance of caliper over the hub mounting surface _____ mm
- F. Protrusion of drive shaft over hub mounting surface. _____ mm

REAR



- A. Distance between Hub center point to far end edge of outward face of caliper. _____ mm
- B. Distance between Hub center point to near edge of outward face of caliper. _____ mm
- C. Distance between Hub center point to the top edge of caliper. _____ mm
- D. Distance between Hub center point to bottom edge of caliper _____ mm
- E. The distance of caliper over the hub mounting surface _____ mm
- F. Protrusion of drive shaft over hub mounting surface. _____ mm